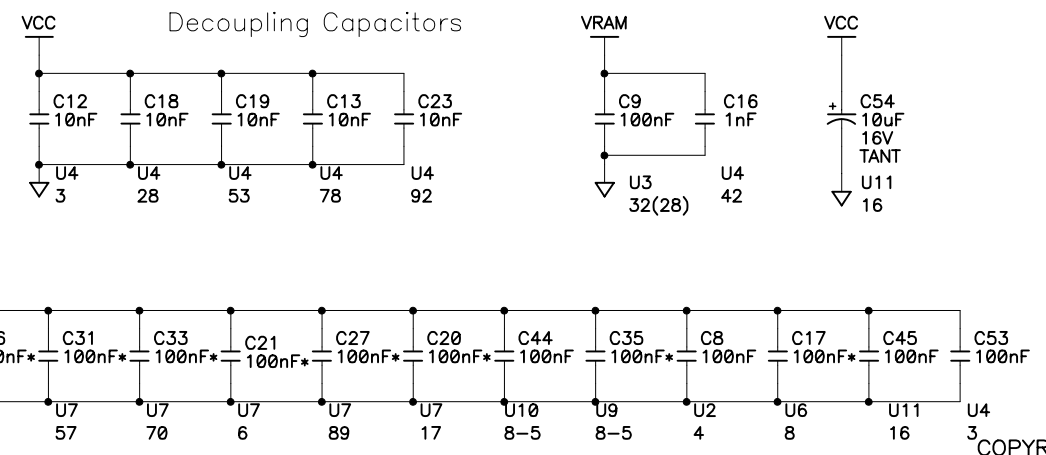
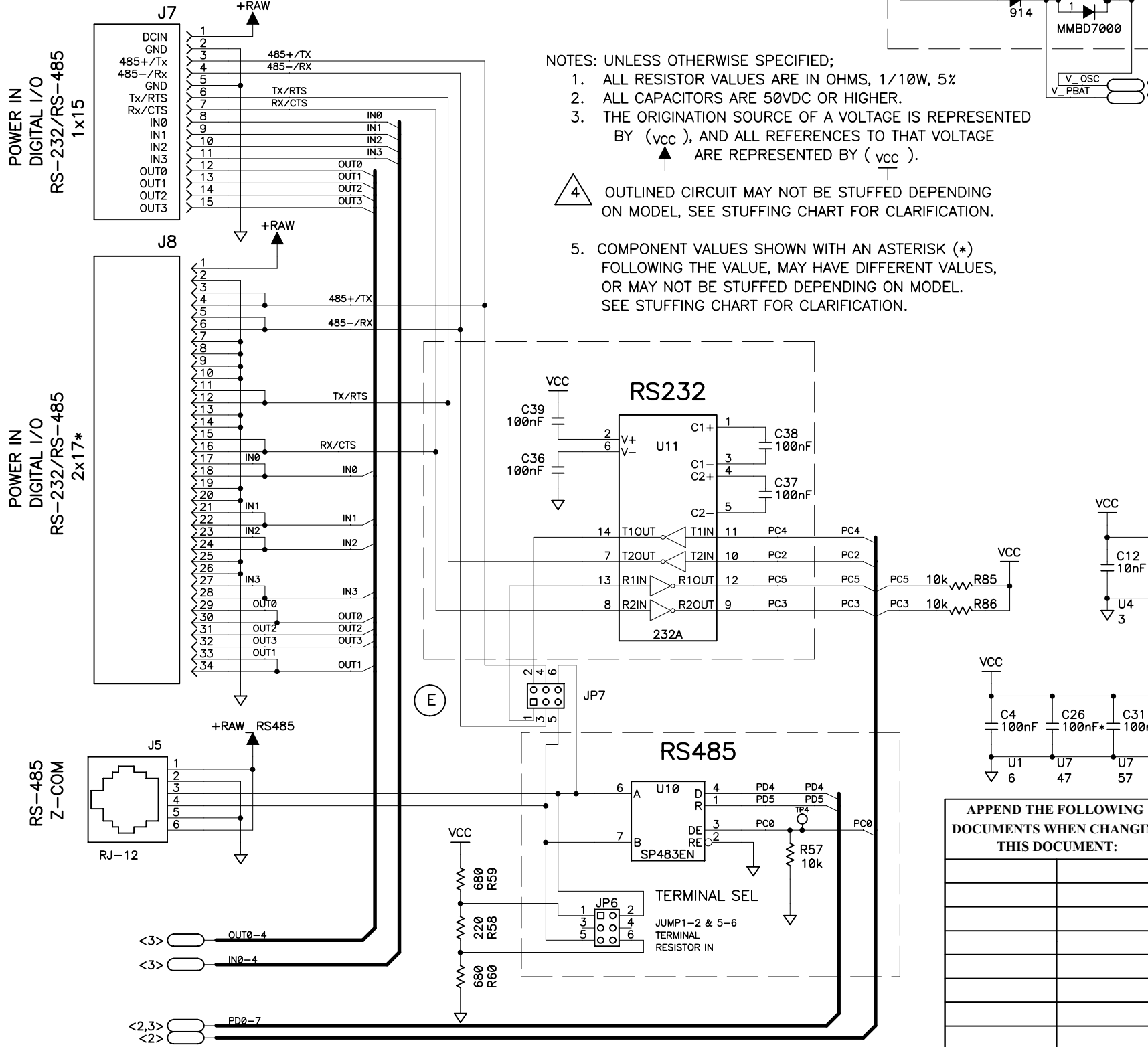


REVISION HISTORY			REVISION APPROVAL			
REV	ECO	DESCRIPTION	PROJECT ENGINEER	APPROVAL DATE	DOCUMENT CONTROL	APPROVAL DATE
D	E11180	SEE ECO FOR HISTORY	LSW	30AUG00	KAH	29AUG00
E	E11320	CORRECT NOTE ON PAGE 3. REFERENCED WRONG COMPONENTS.	RJH	2JAN01	KIS	2JAN01
F	E11342	ADD R82 & R83 TO KEEP RS485 WITH 5-WIRE RS232	EP	5JAN01	KIS	9JAN01
G	E11620	UPDATE RABBIT BATTERY BACKUP CIRCUIT	JF	8/6/01	KIS	8/3/01
H	E12084	REMOVE R39, CHANGE R37 TO 11K (BATTERY CIRCUIT)	KIS	9/19/02	KIS	9/19/02

- NOTES: UNLESS OTHERWISE SPECIFIED;
1. ALL RESISTOR VALUES ARE IN OHMS, 1/10W, 5%
 2. ALL CAPACITORS ARE 50VDC OR HIGHER.
 3. THE ORIGATION SOURCE OF A VOLTAGE IS REPRESENTED BY (VCC), AND ALL REFERENCES TO THAT VOLTAGE ARE REPRESENTED BY (VCC).
 4. OUTLINED CIRCUIT MAY NOT BE STUFFED DEPENDING ON MODEL, SEE STUFFING CHART FOR CLARIFICATION.
 5. COMPONENT VALUES SHOWN WITH AN ASTERISK (*) FOLLOWING THE VALUE, MAY HAVE DIFFERENT VALUES, OR MAY NOT BE STUFFED DEPENDING ON MODEL. SEE STUFFING CHART FOR CLARIFICATION.

TABLE A

REF DES	DEVICE	DEVICE VOLTAGE INFORMATION					DEVICE: FILTER CAP REF DES(s)
		AGND	GND	VCC	VRAM	NO CONNECTS	
U1	LM4872		2	6			C4
U2	ETC811L						C8
U3	SRAM 512K X 8		15		32		C9
	SRAM 32K X 8		14		28		
U4	RABBIT 2000	2,27,39 52,77,89		3,28,53, 78,92	42		C12,13,18,19, 23, 53 C16 - PIN42 (VRAM)
U5	FLASH		24	8			C17
U6	FLASH		24	8			
U7	RLT8019AS	14,28,44 52,83,86		6,17,47 57,70,89			C20,21,26,27,31,33
U8	LM2575-5.0					2-6.9.11.13.16.19-24	
U9	93C46		5	8		7	C35
U10	SP483E		5	8			C44
U11	232A		15	16			C45



APPEND THE FOLLOWING DOCUMENTS WHEN CHANGING THIS DOCUMENT:

DRAWN BY: (INITIAL RELEASE)	GEY	14SEP99
REVISED BY:	K.SCHALLER	09/19/02
APPROVALS: INITIAL RELEASE		
PROJECT ENGINEER:	RJH	24MAY00
ENGINEERING MANAGER:	---	---
SIGNATURES	DATE	

TITLE: SCHEMATIC DIAGRAM OP6600/6700 SERIES & RABBIT 2000 TCP/IP DEVELOPMENT KIT

SIZE: B **DWG NO.**: 090-0095

SCALE: NONE **RELEASE DATE**: 24MAY00 **SHEET**: 1 OF 4

Z-WORLD
2900 SPAFFORD ST.
DAVIS, CA 95616
530-757-4616

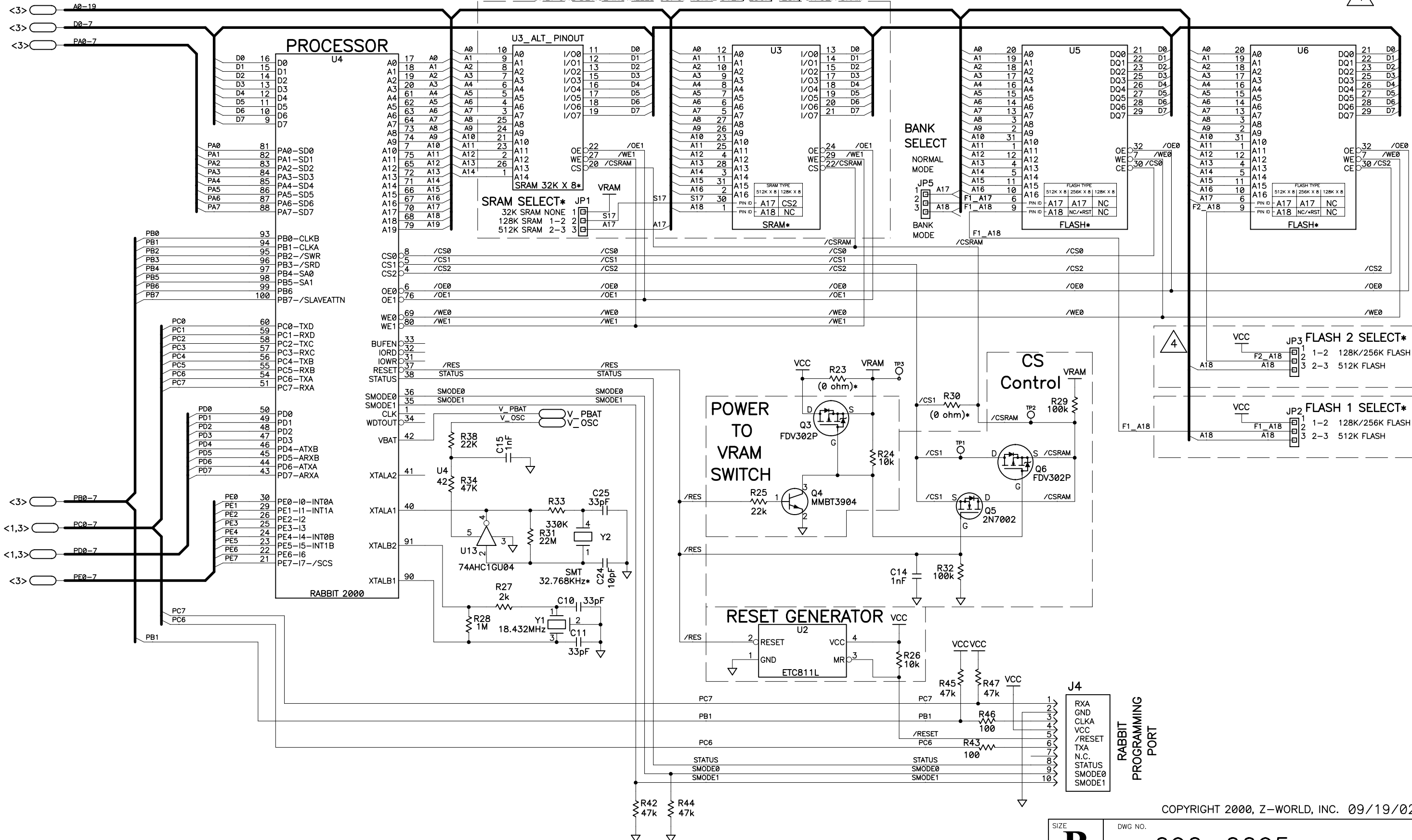
COPYRIGHT 2000, Z-WORLD, INC.

SRAM*

ONLY ONE DEVICE INSTALLED U3: OPTIONAL 512K, 256K, 128K, OR 32K SRAM

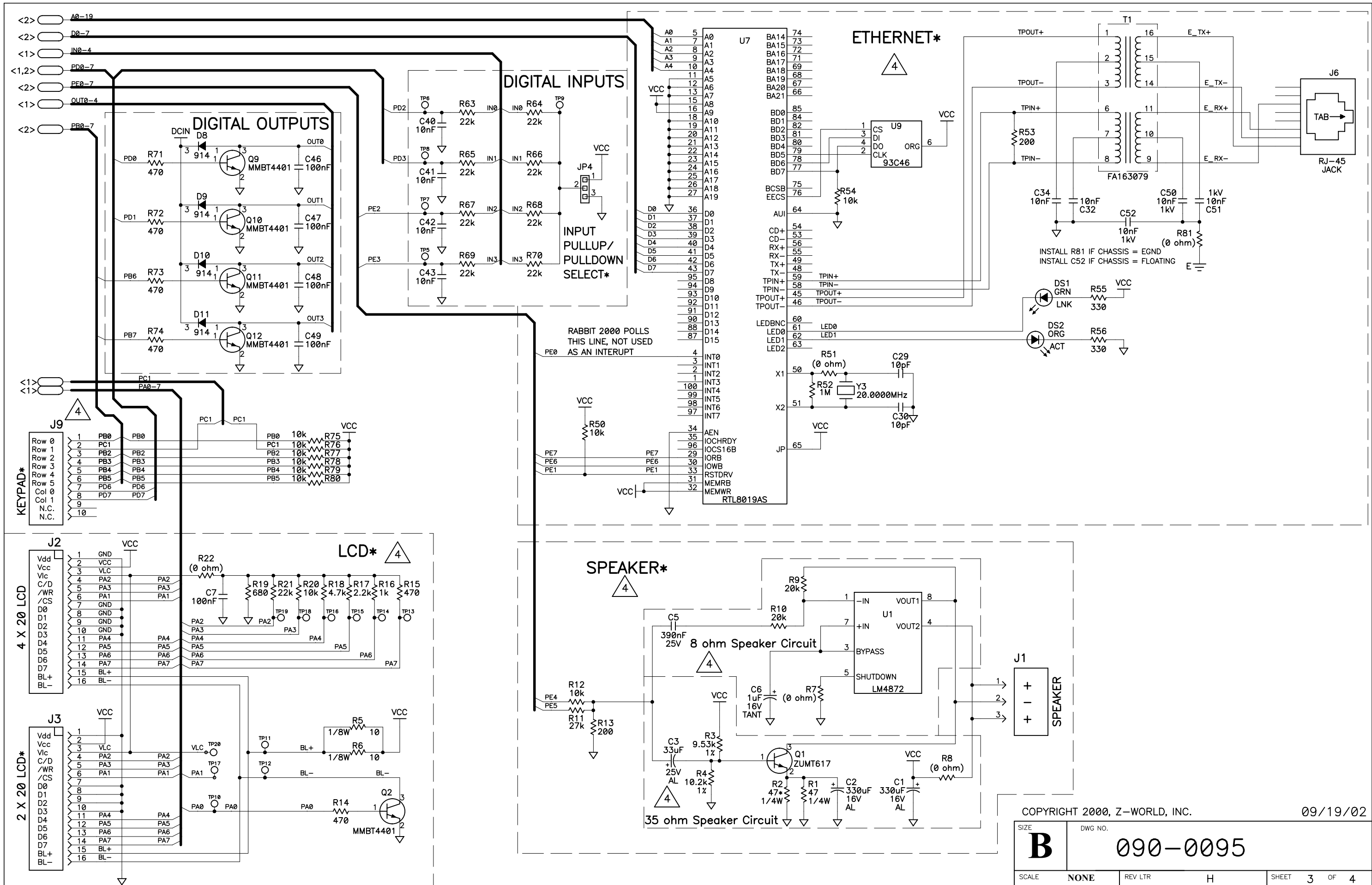
FLASH 1*

FLASH 2* 4



COPYRIGHT 2000, Z-WORLD, INC. 09/19/02

SIZE	DWG NO.
B	090-0095
SCALE	REV LTR
NONE	H
SHEET	OF
2	4



COPYRIGHT 2000, Z-WORLD, INC.

09/19/02

SIZE	DWG NO.
B	090-0095
SCALE	REV LTR
NONE	H
SHEET	3 OF 4

STUFFING TABLE

CIRCUIT		PART	MODEL			
CIRCUIT		PART	RABBIT 2000 TCP/IP	OP6700 SERIES	OP6600 SERIES	
BATTERY MODULE		X1	NOT INSTALLED	INSTALLED	INSTALLED	
BATTERY		BT1	NOT INSTALLED	NOT INSTALLED	NOT INSTALLED	
CS CONTROL BYPASS		R30	NOT INSTALLED	NOT INSTALLED	NOT INSTALLED	
PWR- VRAM SW BYPASS		R23	NOT INSTALLED	NOT INSTALLED	NOT INSTALLED	
PWR SPLY TRANSZORB		TVS1	NOT INSTALLED	NOT INSTALLED	NOT INSTALLED	
SRAM	MAIN	U3	128K SRAM	128K SRAM	128K SRAM	
		C9	100nF	100nF	100nF	
	SRAM SELECT	JP1	ZERO ohm ACROSS PINS 1-2	ZERO ohm ACROSS PINS 1-2	ZERO ohm ACROSS PINS 1-2	
FLASH 1	MAIN	U5	256K FLASH	256K FLASH	256K FLASH	
		FLASH 1 SELECT	JP2	ZERO ohm ACROSS PINS 1-2	ZERO ohm ACROSS PINS 1-2	ZERO ohm ACROSS PINS 1-2
FLASH 2	MAIN	U6	256K FLASH	256K FLASH	NOT INSTALLED	
		C17	100nF	100nF	NOT INSTALLED	
	FLASH 2 SELECT	JP3	ZERO ohm ACROSS PINS 1-2	ZERO ohm ACROSS PINS 1-2	NOT INSTALLED	
POWER IN CONN 2 x 17		J8	NOT INSTALLED	NOT INSTALLED	NOT INSTALLED	
KEYPAD CONNECTOR		J9	NOT INSTALLED	INSTALLED	INSTALLED	
LCD	4 X 20 CONN	J2	NOT INSTALLED	INSTALLED	INSTALLED	
	2 X 20 CONN	J3	NOT INSTALLED	NOT INSTALLED	NOT INSTALLED	
	MAIN	C7	NOT INSTALLED	100nF	100nF	
		Q2	NOT INSTALLED	MMBT4401	MMBT4401	
		R5	NOT INSTALLED	10 ohm 1/8W	10 ohm 1/8W	
		R6	NOT INSTALLED	10 ohm 1/8W	10 ohm 1/8W	
		R14	NOT INSTALLED	470 ohm	470 ohm	
		R15	NOT INSTALLED	470 ohm	470 ohm	
		R16	NOT INSTALLED	1k	1k	
		R17	NOT INSTALLED	2.2k	2.2k	
		R18	NOT INSTALLED	4.7k	4.7k	
		R19	NOT INSTALLED	680 ohm	680 ohm	
		R20	NOT INSTALLED	10k	10k	
		R21	NOT INSTALLED	22k	22k	
		R22	NOT INSTALLED	ZERO ohm	ZERO ohm	
		SPEAKER	MAIN	R11	NOT INSTALLED	27k
	R12			NOT INSTALLED	10k	10k
	R13			NOT INSTALLED	200 ohm	200 ohm
	35 ohm CIRCUIT		C1	NOT INSTALLED	330uF 16V	330uF 16V
			C2	NOT INSTALLED	330uF 16V	330uF 16V
C3			NOT INSTALLED	33uF 25V	33uF 25V	
J1			NOT INSTALLED	INSTALLED	INSTALLED	
Q1			NOT INSTALLED	ZUMT617	ZUMT617	
R1			NOT INSTALLED	47 ohm 1/4W	47 ohm 1/4W	
R2			NOT INSTALLED	NOT INSTALLED	NOT INSTALLED	
R3			NOT INSTALLED	9.53k 1%	9.53k 1%	
R4			NOT INSTALLED	10.2k 1%	10.2k 1%	
R8	NOT INSTALLED	ZERO ohm	ZERO ohm			
8 ohm CIRCUIT		NOT INSTALLED	NOT INSTALLED	NOT INSTALLED		

STUFFING TABLE

CIRCUIT		PART	MODEL			
CIRCUIT		PART	RABBIT 2000 TCP/IP	OP6700 SERIES	OP6600 SERIES	
DIGITAL INPUT PULLUP/ PULLDOWN SELECT		JP4	ZERO ohm ACROSS PINS 1-2	ZERO ohm ACROSS PINS 1-2	ZERO ohm ACROSS PINS 1-2	
ETHERNET	MAIN	U7	RLT8019AS	RLT8019AS	NOT INSTALLED	
		C20	100nF	100nF	NOT INSTALLED	
		C21	100nF	100nF	NOT INSTALLED	
		C26	100nF	100nF	NOT INSTALLED	
		C27	100nF	100nF	NOT INSTALLED	
		C31	100nF	100nF	NOT INSTALLED	
		C33	100nF	100nF	NOT INSTALLED	
		R50	10k	10k	NOT INSTALLED	
		ETHERNET CRYSTAL	Y3	20.0000MHz	20.0000MHz	NOT INSTALLED
			C29	10pF	10pF	NOT INSTALLED
	C30		10pF	10pF	NOT INSTALLED	
	R51		ZERO ohm	ZERO ohm	NOT INSTALLED	
	R52		1 MEG	1 MEG	NOT INSTALLED	
	EEPROM	U9	93C46	93C46	NOT INSTALLED	
		C35	100nF	100nF	NOT INSTALLED	
		R54	10k	10k	NOT INSTALLED	
	LEDS	DS1	GRN	GRN	NOT INSTALLED	
		DS2	ORG	ORG	NOT INSTALLED	
		R55	330 ohm	330 ohm	NOT INSTALLED	
		R56	330 ohm	330 ohm	NOT INSTALLED	
	TRANSFORMER	T1	FA163079	FA163079	NOT INSTALLED	
		C32	10nf	10nf	NOT INSTALLED	
		C34	10nf	10nf	NOT INSTALLED	
		C50	10nf 1KV	10nf 1KV	NOT INSTALLED	
		C51	10nf 1KV	10nf 1KV	NOT INSTALLED	
		C52	10nf 1KV	10nf 1KV	NOT INSTALLED	
		J6	RJ-45	RJ-45	NOT INSTALLED	
		R53	200 ohm	200 ohm	NOT INSTALLED	
R81		ZERO ohm	ZERO ohm	NOT INSTALLED		

SIZE	DWG NO.		
B	090-0095		
SCALE	NONE	REV LTR	H
SHEET		4	OF 4